

# SL-556S

THIN TYPE SYNCHRONOUS SCISSOR LIFT

THIN TYPE SYNCHRONOUS SCISSOR LIFT



SL-556



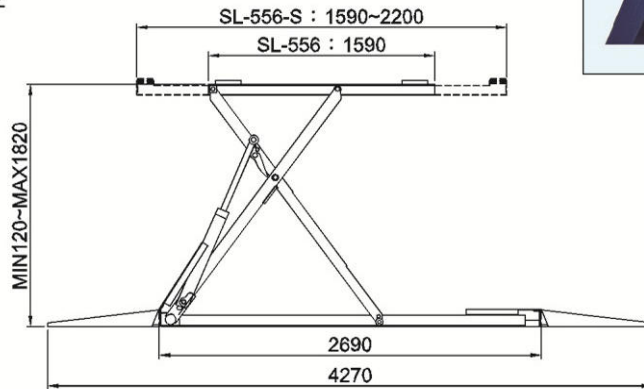
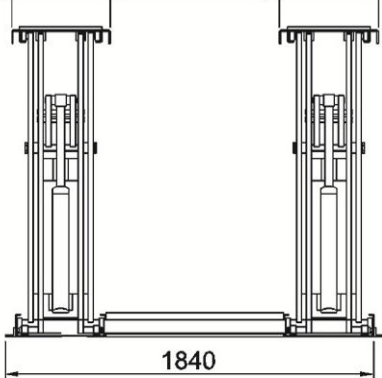
Safety Lock Device



Special Design



SL-556S : 580  
SL-556 : 550    790    SL-556S : 580  
SL-556 : 550



MODEL	MAXLOADING WEIGHT	STROKE	HORSEPOWER& VOLTAGE	AIR PRESSURE	LIFTING TIME	OPERATION	CONTROL
SL-556	3000kg	1700m/m	2HP AC220 50HZ	4~5kg/cm2	about 40 sec	Hydraulic	Electric
SL-556-S			1HP AC380 60HZ 1HP AC415 60HZ				